

An uncommon blend of technology, flawless sound and architectural style, the PD-6i is setting a new benchmark for custom installed loudspeakers. Each PD-6i contains BG's proprietary Neo3PDR Neodymium planar ribbon tweeter that delivers an extremely broad, well defined soundstage over the entire listening area.

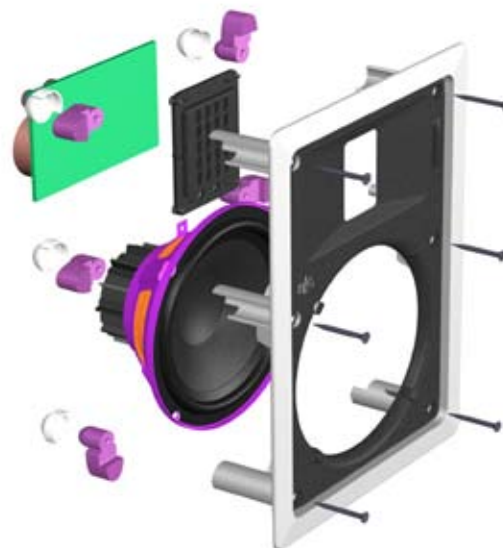
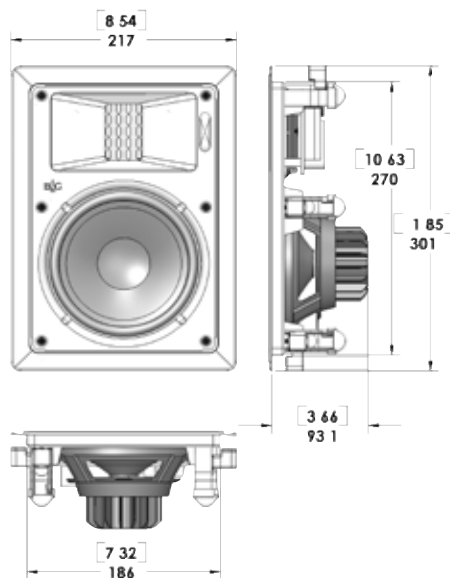
To add to the tweeter's stunning dispersion and resolution, the PD-6i features an innovative woofer with high excursion capabilities and very low distortion. This high tech woofer design makes use of compact Neodymium magnets to provide an acoustically transparent woofer chassis which dramatically improves midrange clarity by eliminating sound reflections directly behind the woofer. The superior Kevlar™ cone woofers used in the PD Series not only provide lifelike two-channel clarity but are also capable of achieving the extreme dynamics associated with high performance home theater applications.

As with the entire PD Series, the PD-6i is crafted from high impact, poly-composite frames that are well suited for the entire home. Rugged, paintable surfaces are the perfect architectural complement for custom installations where there is zero tolerance for error and a maximum need for discrete high fidelity.

Clean and clear with smooth, lifelike imaging. The PD-8i makes it not only possible but remarkably simple to design and install these systems in virtually any high performance In-Wall or In-Ceiling sound system

- **Wide dispersion** Exclusive patented wideband PDR planar ribbon tweeter pivots for an extremely wide sweet spot over the entire listening environment
- **Powerful** Kevlar™ cone woofer features a rubber surround, Neodymium magnet and acoustically transparent chassis for high output with low distortion
- **Easy to install** Improved poly-composite frames (paintable), rust-resistant metal grills and glass-filled composite dog-toggle clamps simplify installation





> GENERAL PARAMETERS:

Description	2-way hybrid
Dimensions	8 9/16" x 11 7/8"
Weight	3.5 lbs.
Cutout size	7 7/16" x 10 3/4"
Installed depth	4 3/8" from surface
Driver complement	1 x 6" Kevlar™ cone, Neo magnet woofer 1 x Neo3PDR planar ribbon tweeter
Nominal impedance	8 ohms
Frequency response	50 Hz - 25 kHz (-6dB, half space)
Power handling	100 W RMS
Sensitivity	88 dB/1W/1M
Crossover frequency	2.3 kHz, passive
Adjustments	-3 dB, 0 dB, +3 dB tweeter level adjustment
Installation	The PD Series loudspeakers use high-quality, glass-filled, composite dog-toggle clamps for easy mounting in panel thicknesses from 1/4" - 1 5/8"
Warranty¹	Lifetime

¹ Please see BG warranty for complete details